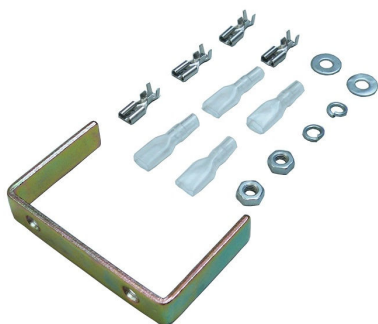
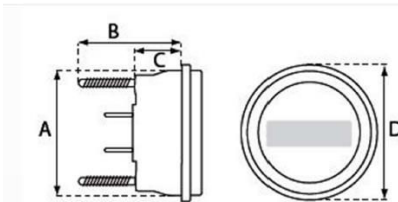


KAPACITÁSJELZŐ, KERÉK, 48V-OS

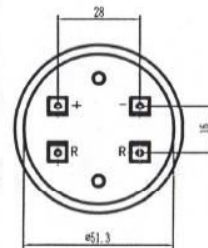
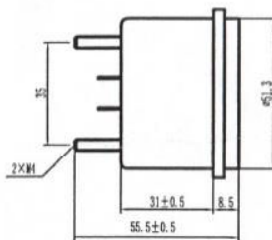
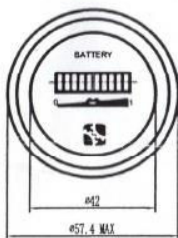
- 48V-os akkumulátorokhoz használható
- LED kijelzős
- méretei; A=51 mm, B=47 mm, C=30 mm, D=57 mm (lásd a mellékelt képen)
- a kijelzőt a mellékelt képen látható felszereléshez szükséges kiegészítővel szállítjuk



További adatok és bekötési információk

Battery indicator

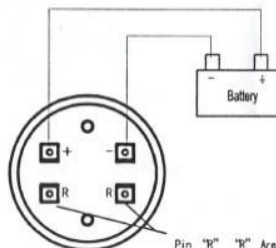
Label	Battery
03273012	DC12V
03273024	DC24V
03273036	DC36V
03273048	DC48V
03273060	DC60V
03273072	DC72V
03273080	DC80V



Feature:

Round Battery discharge indicator

1. Display: 10-bar LED indicates the battery state of charge.
2. Max Pins: 4; 3/16"
3. Mounting: U-shape bracket
4. Lens Material: Glass
5. Case Material: ABS (Black)
6. Bezel Material: Al. Anodized black
7. Panel Cutout (mm/in):  $\phi 52\text{mm}/\phi 2.1/16"$
8. Operating Temperature:  $-40^{\circ}\text{C}$  to  $+85^{\circ}\text{C}$   
Storage Temperature:  $-50^{\circ}\text{C}$  to  $+90^{\circ}\text{C}$   
Humidity: 95% RH (Non Condensing) at  $38^{\circ}\text{C}$
9. Operating voltage: 12V, 24V, 36V, 48V, 60, 72V, 80V.
10. Battery indicating range can be customized made (e.g. 2.04Vpc at full, 1.73Vpc at empty)
11. EEPROM memory benefits:  
When powered on, instrument shows the memorized state last time when it's shut off, so that it has enough time to filter wrong information affected by instantaneous voltage fluctuation.
12. Regulations: SAE J1455



Pin "R" "R" Are relays pins, acting as switch, which can shut off the device connecting via them; when battery voltage is too low, so as to prevent battery from over discharge.